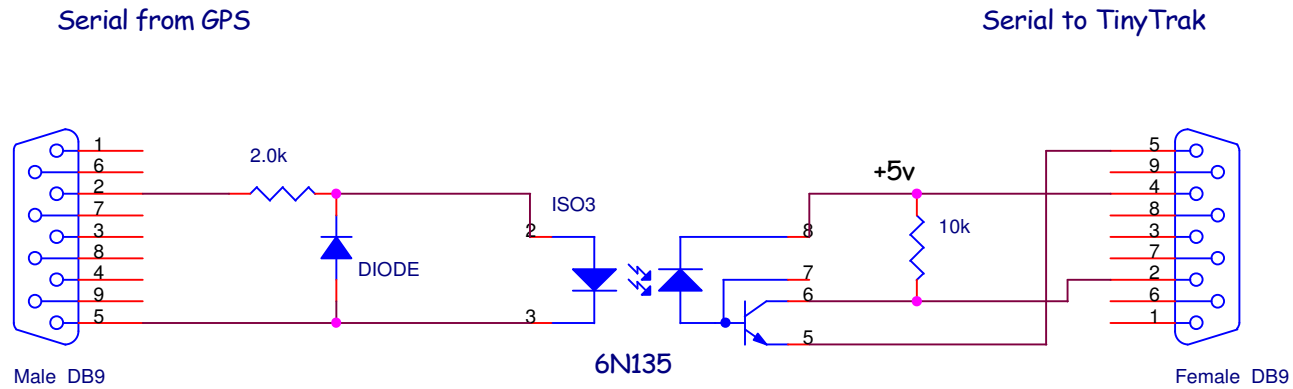


TINYTRAK TO GPS SERIAL DATA ISOLATION INTERFACE



TinyTrak must have jumper wire to supply +5v to DB9 pin #4.

TTL GPS serial must be enabled in TinyTrak configuration.

Title		
Serial Data Opto electronic Isolator		
Size	Document Number	Rev
A	<Doc>	P1
Date:	Tuesday, November 09, 2004	Sheet 1 of 1